

INSTALLATION MANUAL for ELECTROMAGNETIC LOCK

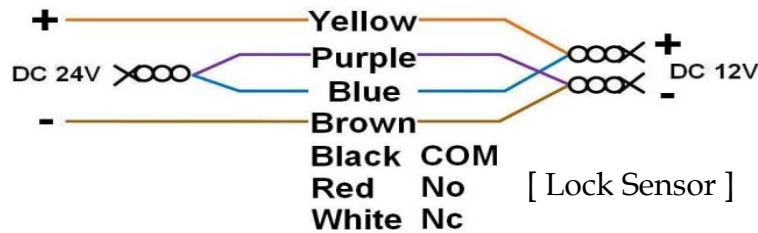
Model: ECA- 485KG (Waterproof)



1) Mechanical & Electrical Specification:

	INPUT VOLTAGE	CURRENT DRAW	HOLDING FORCE	SURFACE MAGNET DIMENSION	STRIKE PLATE DIMENSION	HOLD DIMENSION	Body cover	L-Bracket material	Z-Bracket material
ECA - 485 (No Lock Sensor)	12VDC TO 24VDC	12VDC-500mA 24VDC-250mA	485kg	200×40×26 mm	185×38×12 mm	185 mm	Stainless steel	Stainless steel	Aluminum alloy

2) Electrical wirings:



Protections and Features

1. Built-in Surge Absorber protection.
2. Top quality coil isolation for high-voltage protection.
3. 100% Waterproof stainless unit for long lasting operation.

3) Installation steps (Refer to drawings next page section No. 6)

- a. The deviations between the lock and the striking plate should be under tolerance of 5mm, otherwise the lock sensor may provide false reading.
- b. Make sure if your supply voltage is 12V or 24V Dc and connect the wiring accordingly. Wrong connection or voltage will cause overheating and burn the electromagnet's coil.
- c. Do not tighten the Flat-Head screw (M8) when installing the striking plate. The thickness of the rubber washer (between the 2 metal washers) should be squeezed from 4mm to 2mm (as in Fig. A & Fig. B) for allowing the plate to swing and achieve max holding force.
- d. For Swing-in installation, a suitable Z-Bracket should be ordered separately to suit this type of installation.
- e. Two oval ditches in the Z-Bracket, will allow adjusting the distance between the magnetic lock and striking plate. Secure the “L” plate by spring washers as shown in Fig. C.
- f. Drill two holes of 8mm in the door in an accurate position for the two pins to hold the striker plate in place and avoid deviation (As in Fig. D)

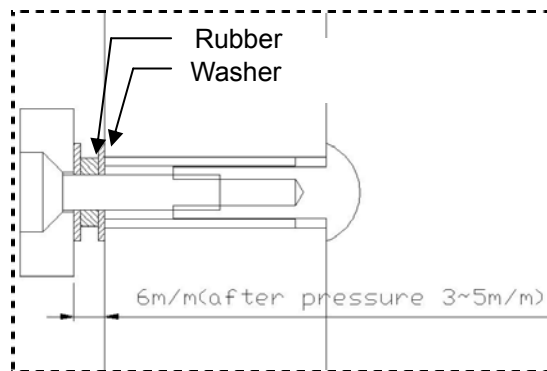


Fig. A The rubber should be between the two metal washers.

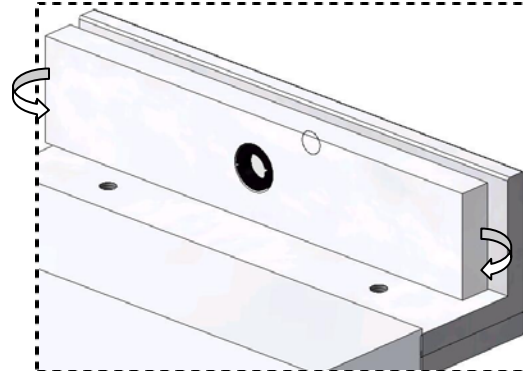


Fig. B Do not tighten the Flat-Head screw (M8) to allow the striker plate to swing

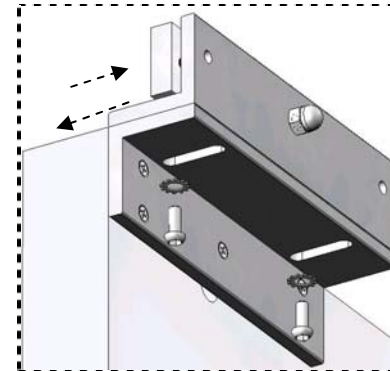


Fig. C Use two screws with spring washers (M8) and adjust the Z-Bracket in place.

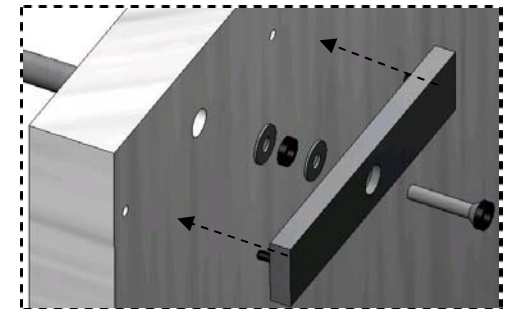
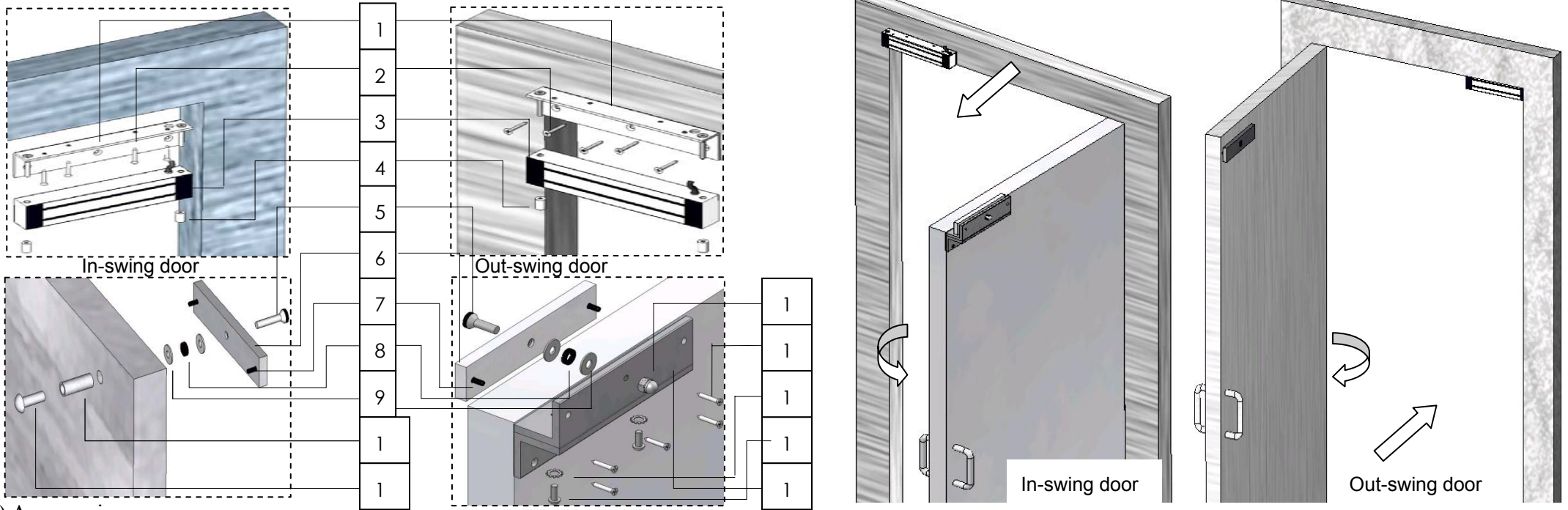


Fig. D Make two holes in the door for the two pins of striker plate to avoid deviation.

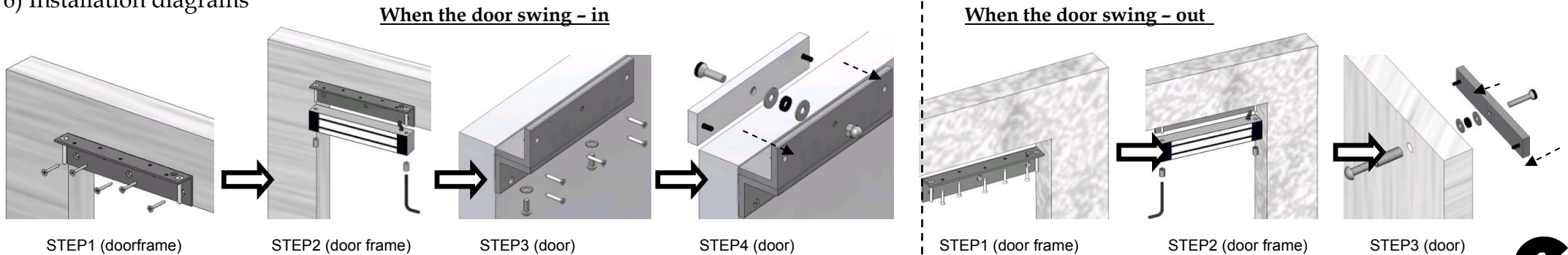
4) Illustrations showing door swing-out & door swing-in installations:



5) Accessories:

	1	2	3	4	5	6	7	8	9	10	11	12	13	14	15	16
Name	L-Bracket	Screw	Body	Screw tube	Flat-Head screw	Striker plate	Pin	Rubber	Washer	Tube	Mushroom head screw	Nut	Screw	Spring Washer	Screw	Z-Bracket
Amount	1	5	1	2	1	1	2	1	2	1	1	1	5	2	2	1
Specification	200×42.5×28 mm	5/32"×3/4"	200×40×26 mm	M5	M8	185×38×12 mm	Ø5×16		5/16"		M8	M8	3/16"×1-1/4"	M8	M8	190×50×50 mm

6) Installation diagrams



Manufactured by: ECA Electronic Engineering Pty LTD.

Australia [Tel:03 95720535](tel:0395720535) www.gatesonsolar.com



N10776