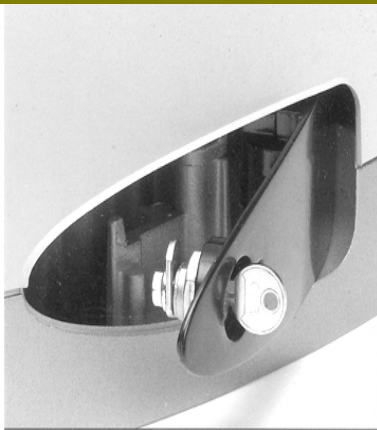


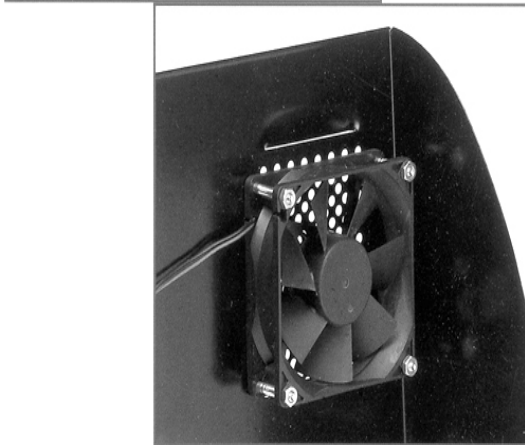
Sliding Gate Operator Model : SL2200

100% Duty-cycle Motor for Heavy-Duty operation
Robust Gear Box & Powerful Motor for 2,200Kg sliding gate

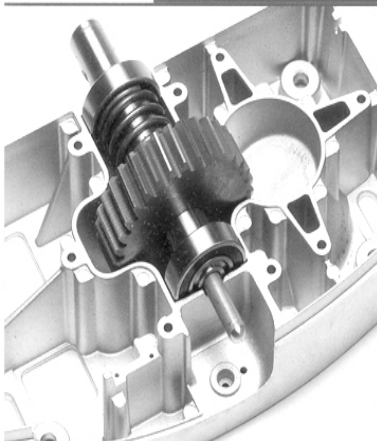


FACTS ▶

- ▶ **Over-Ride Keys**
To put the motor on manual in case of emergency



- ▶ **Electric and Mechanic Built-in Fan**
For intensive 100% duty-cycle operation.



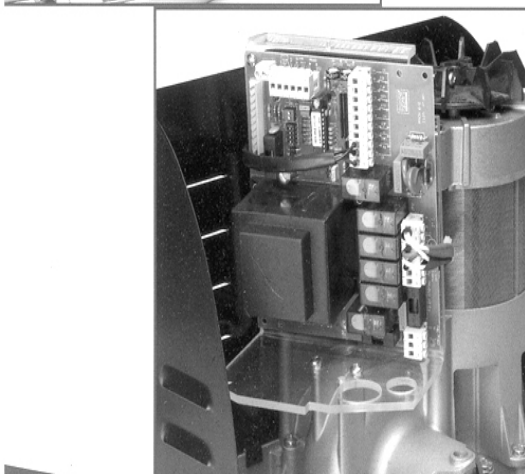
- ▶ **Sealed Metal Gearbox**
To prevent corrosion and insects, dust and rain from damaging the unit and ensuring long lasting operation.

- ▶ **1000 Watts Robust Motor**

- ▶ **Smart Digital Control Panel**
Built-in Digital and Computerized control panel for smooth operation which allows accuracy and reliable electronic operation.
Manufactured in Australia by ECA E.E. to provide the easiest and simplest set-up and installation.



- ▶ **Build-in Inverter for ramp-up and ramp-down speed**
The control panel of the motor will automatically soft start and slow down during closure and opening to provide the smoothest and reliable operation of the gate and prolong the life-time of the gear box in the unit.



- ▶ **Four operating programs**
You can select one out of four most popular operation programs to operate your gate.
 - **Step By Step operation**
 - **Automatic operation**
 - **Full Automatic operation**
 - **Secure Automatic operation**

Manufactured by:
ECA Electronic Engineering Pty, LTD. Australia.
www.gatesonsolar.com Tel: 03 - 95 720 535

