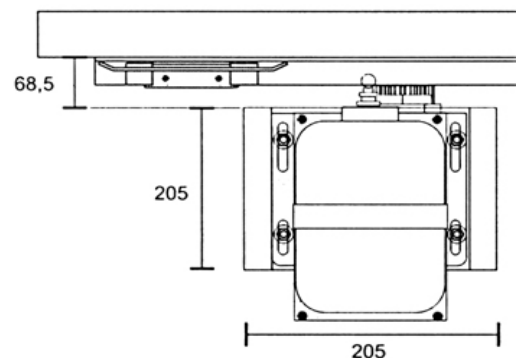
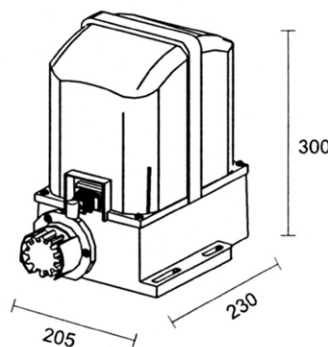
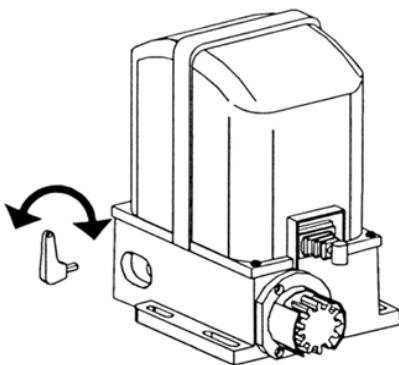


Sliding Gate operator MODEL SL-800

Heavy-duty industrial sliding gate operator

FACTS:

- ▶ **Up to 800Kg gate**
- ▶ **Smart Digital Control Panel**
Built-in Digital Computerized control panel for digital operation which allows accuracy and reliable electronic operation.
Made in Australia by ECA E.E. to provide the easiest and simplest set-up during installation. Press only one button and the control panel will set automatically.
- ▶ **Four Button remote controls**
For the convenience of operating the gate and any other garage doors and gates.
- ▶ **Sealed Gearbox**
To prevent corrosion and insects, dust and rain from damaging the unit and ensuring long lasting operation.
- ▶ **500 Watts DC Motor**
With a 80% Duty-Cycle motor to enable Many operations per hour.
- ▶ **Four operating programs**
You can select one out of four most popular operation programs to operate your gate.
 - **Step By Step operation**
 - **Automatic operation**
 - **Full Automatic operation**
 - **Secure Automatic operation**
- ▶ **Build-in Inverter for ramp-up ramp-down speed**
The control panel of the motor will automatically soft start and slow down during closure and opening to provide the smoothest and reliable operation of the gate and prolong the life-time of the gear box in the unit.
- ▶ **Over-Ride Security Key**
To put the motor on manual in case of power failure.



Manufactured by:
ECA Electronic Engineering Pty, LTD.